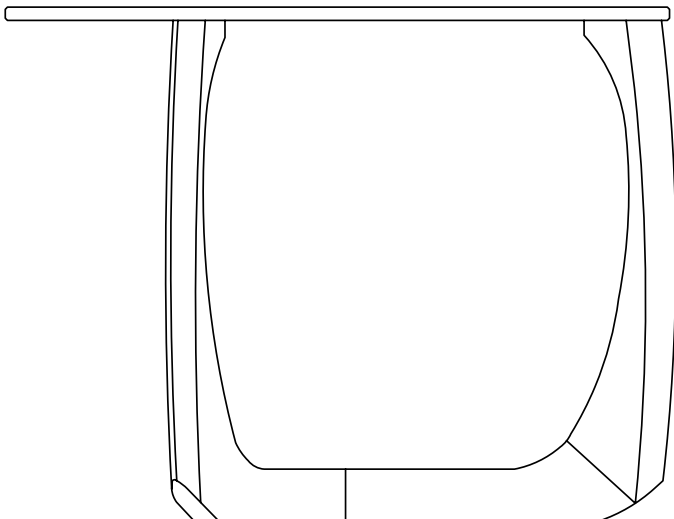


Description

Lili Lounge table exemplifies a well-balanced mix of Danish craftsmanship and Japanese aesthetics that unifies to an appealing minimalistic design. With a distinctively appealing sculptural shape, Lili is inspired by its water lily namesake. A harmonious connection between its tabletop and frame creates an elegant curve made possible by precise construction and assembly techniques. Designed by Takumi Hirokawa



Dimensions

Small: Ø 60 cm, H 46 cm
Medium: Ø 75 cm, H 38 cm
Large: Ø 90 cm, H 42 cm

Weight

Small: 6 kg (wood), 9 kg (glass)
Medium: 7.5 kg (wood), 11 kg (glass)
Large: 8.5 kg (wood), 13 kg (glass)

Packaging type

Disassembled in box, plastic bag

Number of parcels

1

Packaging dimensions

Small: W 64 cm, D 64 cm, H 8 cm
Medium: W 84 cm, D 84 cm, H 8 cm
Large: W 94 cm, D 94 cm, H 8 cm

Packaging weight

Small: 7 kg (wood), 10 kg (glass)
Medium: 8.5 kg wood), 12 kg (glass)
Large: 9.5 kg (wood), 14 kg (glass)

Materials**Frame:**

- Oiled oak
- Black lacquered ash

Table top:

- Oiled oak
- Black lacquered ash

Care instructions

Lili must never be placed next to a heat source, and should always avoid extended exposure to sunlight.

To clean, simply wipe with a soft cloth using lukewarm water. Avoid the use of chemical cleaners. The frame is treated with natural oil. Secondary treatment with oil counteracts drying of the wood and regular application is recommended. For the glass table top, use window cleaners.

Lili must never be placed next to a heat source, and should always avoid extended exposure to sunlight.

To clean, simply wipe with a soft cloth using lukewarm water. Avoid the use of chemical cleaners. The frame is treated with natural oil. Secondary treatment with oil counteracts drying of the wood and regular application is recommended. For the glass table top, use window cleaners.

BEFORE RECYCLING

It is always recommended to reuse or repair before recycling, to prolong the use-phase of the product. If the product should be recycled, please use the following instructions.

Overview of materials

The table below shows the different materials used for production of Lili

TABLETOP	Oak, black laquered ash or glass
LEGS	Oak or black laquered ash
CONNECTOR	Galvanized steel
FEET	HDPE (polyethylene)
GLASS SUPPORT	Rubber
BOLTS	Galvanized steel

Recycling instructions

Remove the tabletop by lifting it from the legs.
Remove the rubber glass support from the legs (only for glass table-top).
Uncrew the legs underneath and remove the steel connector and bolts.
Remove the plastic feet from the legs.
The materials are sorted and recycled using the instructions at the recycling facility.



Small Ø 60 cm H 46 cm
Table top: Anthracite glass
Legs: Black lacquered ash



Small Ø 60 cm H 46 cm
Table top: Oiled oak
Legs: Oiled oak



Medium Ø 75 cm H 38 cm
Table top: Black lacquered ash
Legs: Black lacquered ash



Medium Ø 75 cm H 38 cm
Table top: Oiled oak
Legs: Oiled oak



Large Ø 90 cm H 42 cm
Table top: Black lacquered ash
Legs: Black lacquered ash



Large Ø 90 cm H 42 cm
Table top: Oiled oak
Legs: Oiled oak



Small Ø 60 cm H 46 cm, Medium Ø 75 cm H 38 cm & Large Ø 90 cm H 42 cm