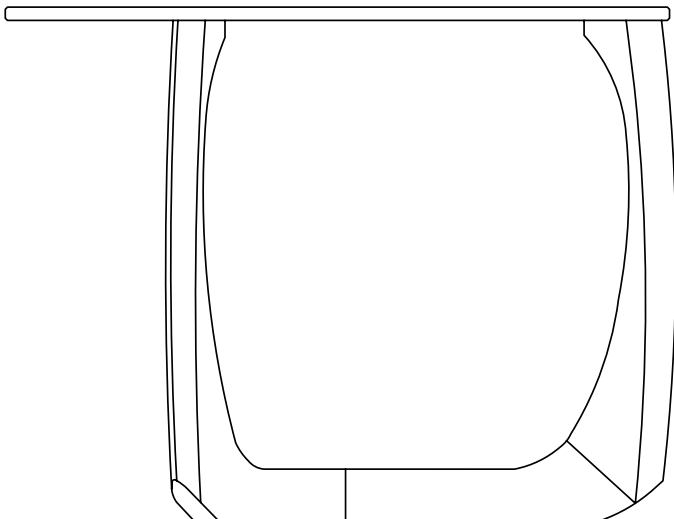


#### Description

Lili Lounge table exemplifies a well-balanced mix of Danish craftsmanship and Japanese aesthetics that unifies to an appealing minimalistic design. With a distinctively appealing sculptural shape, Lili is inspired by its water lily namesake. A harmonious connection between its tabletop and frame creates an elegant curve made possible by precise construction and assembly techniques. Designed by Takumi Hirokawa



---

**Dimensions**

Small: Ø 60 cm, H 46 cm  
Medium: Ø 75 cm, H 38 cm  
Large: Ø 90 cm, H 42 cm

---

**Weight**

Small: 6 kg (wood), 9 kg (glass)  
Medium: 7.5 kg (wood), 11 kg (glass)  
Large: 8.5 kg (wood), 13 kg (glass)

---

**Packaging type**

Disassembled in box, plastic bag.

---

**Number of parcels**

1

---

**Packaging dimensions**

Small: W 64 cm, D 64 cm, H 8 cm  
Medium: W 84 cm, D 84 cm, H 8 cm  
Large: W 94 cm, D 94 cm, H 8 cm

---

**Packaging weight**

Small: 7 kg (wood), 10 kg (glass)  
Medium: 8.5 kg wood), 12 kg (glass)  
Large: 9.5 kg (wood), 14 kg (glass)

---

**Materials****Frame:**

- Oiled oak
- Black lacquered ash

**Table top:**

- Oiled oak
- Black lacquered ash
- Anthracite glass
- Clear glass

---

**Care instructions**

Lili must never be placed next to a heat source, and should always avoid extended exposure to sunlight.

To clean, simply wipe with a soft cloth using lukewarm water. Avoid the use of chemical cleaners. The frame is treated with natural oil. Secondary treatment with oil counteracts drying of the wood and regular application is recommended. For the glass table top, use window cleaners.

**BEFORE RECYCLING**

---

It is always recommended to reuse or repair before recycling, to prolong the use-phase of the product. If the product should be recycled, please use the following instructions.

**Overview of materials**

---

The table below shows the different materials used for production of LILI

TABLETOP	Oak, black laquered ash or glass
LEGS	Oak or black laquered ash
CONNECTOR	Galvanized steel
FEET	HDPE (polyethylene)
GLASS SUPPORT	Rubber
BOLTS	Galvanized steel

**Recycling instructions**

---

Remove the tabletop by lifting it from the legs.  
Remove the rubber glass support from the legs (only for glass table-top).  
Uncrew the legs underneath and remove the steel connector and bolts.  
Remove the plastic feet from the legs.  
The materials are sorted and recycled using the instructions at the recycling facility.



Small Ø 60 cm H 46 cm  
Table top: Anthracite glass  
Legs: Black lacquered ash



Small Ø 60 cm H 46 cm  
Table top: Oiled oak  
Legs: Oiled oak



Medium Ø 75 cm H 38 cm  
Table top: Black lacquered ash  
Legs: Black lacquered ash



Medium Ø 75 cm H 38 cm  
Table top: Oiled oak  
Legs: Oiled oak



Large Ø 90 cm H 42 cm  
Table top: Black lacquered ash  
Legs: Black lacquered ash



Large Ø 90 cm H 42 cm  
Table top: Oiled oak  
Legs: Oiled oak



Small Ø 60 cm H 46 cm, Medium Ø 75 cm H 38 cm & Large Ø 90 cm H 42 cm